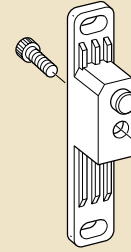




Pressure Gauges allow you to accurately monitor your system pressure. Two pressure ranges are available to better match you system requirements.

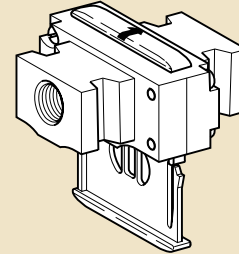
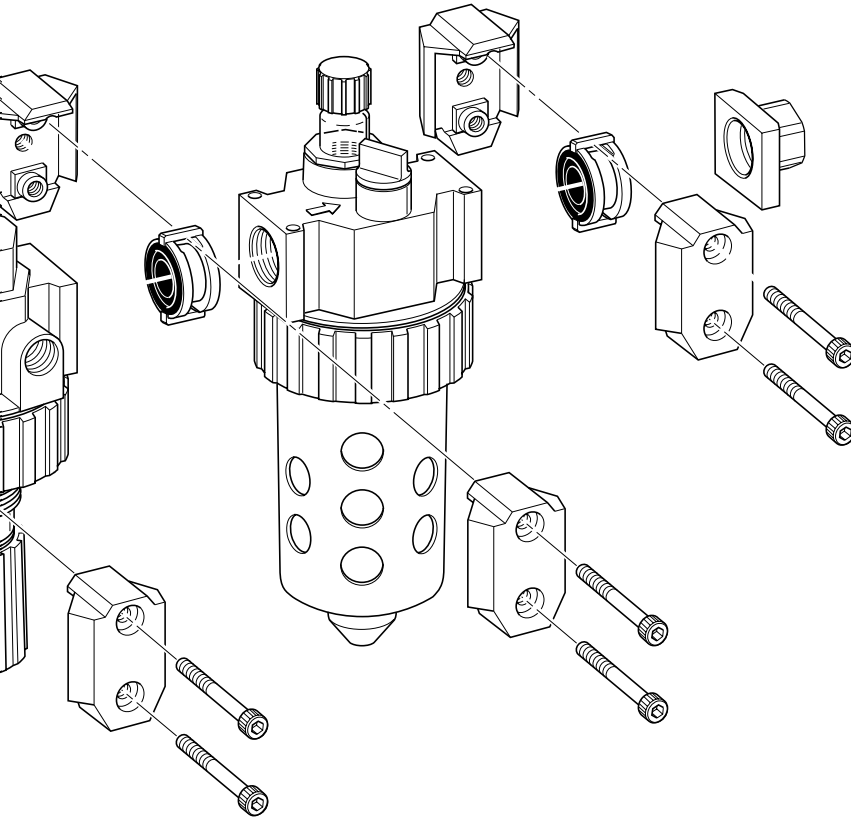
Range	Series	Part Number
0-60 PSIG	F05	K4520N14060
	F06/F07	K4520N14060
0-160 PSIG	F05	K4520N14160
	F06/F07	K4520N14160



Wall Mounting Kits are available for mounting your Modular Assemblies and can be assembled and used with any standard body connector set. Since Modular Combinations are always identical in size, you can predrill for wall mounting on your equipment.

Kit includes 1 assembly.

Series	Part Number
F05	PS955P
F06 and F07	PS755P

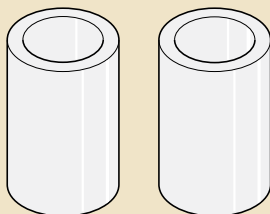


Patent Pending

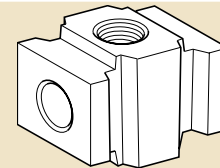
Lockout Valves provide positive shutoff and Exhaust capability to isolate Modular units so they can be easily removed from the line and can be locked in a closed position. Center position can be used as a slow start.

NOTE: Body Connectors are not supplied with Lockout Valves.

Series	Porting	Part Number
F05	1/4"	PS95601P
F06	3/8"	PS756P
F07	1/2"	PS856P



High efficiency depth and coalescing filtration for the most demanding applications. Available in .01, 1 and 5 micron sizes.



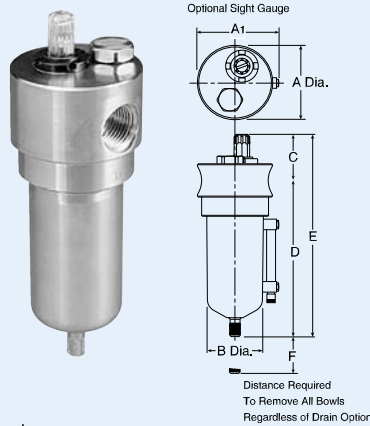
A Modular Manifold Block can be used between any two Modular units to give additional outlet ports. The Manifold Block provides 2 additional outlets in 3/8" and 1/2" sizes. Any standard pipe plug can be used to close off unused ports. **NOTE:** Body Connectors are not supplied with Manifold Blocks.

Series	Porting	Part Number
F05	1/4"	PS95701P
F06	3/8"	PS757
F07	1/2"	PS857

FRL's & Vacuum Exhaust Filters

Lubricator

FL10-04DSS



Dimensions

A	A ₁	B	C	D	E	F
2.38	2.50	1.75	1.81	5.00	6.81	3.50
60mm	64mm	44mm	46mm	127mm	173mm	89mm

Specifications:

Flow: 105 SCFM
 Port Size: 1/2" NPT
 Maximum Pressure: 300 PSIG (20.7 bar)
 Temperature Range: 40-150°F (4.4-65.6°C)
 Weight: 2.3 lbs
 Bowl Capacity: 4 oz.

Materials of Construction:

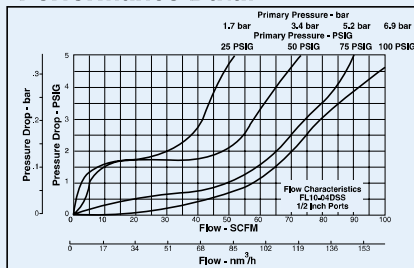
Body: 316 Stainless Steel
 Bowl: 316 Stainless Steel
 Dip Tube: 316 Stainless Steel
 Fill Plug: 316 Stainless Steel
 Sight Dome/Drip Spout: Polyurethane
 Seals: Fluorocarbon
 Retainer: Nylon
 By-pass Assembly: Polyurethane and 316 Stainless Steel

Available Options:

Part Number	Sight Glass
FL10-04DSS	
FL10-04WSS	✓

Note: The Max pressure with a sight glass is 250 PSIG.

Performance Data:



Internal Auto Drain

FSA602MDSS

For installation in Filters
 FF10, FF11 and FB11



Materials of Construction:

- 316 Stainless Steel
- Elgiloy
- Fluorocarbon
- Buna-N
- 304 Stainless Steel
- Acetal
- Max. Pressure: 15-175 PSIG
- For use with H₂S (sour gas), contact factory at 1-800-521-4357

Pressure Gauges



K4515N14160SS

(Recommended for FR364/FB548)

Specifications:

Dial Size: 1 1/2"
 Connection: 1/4" center back

Materials of Construction:

Bourdon Tube: 316 Stainless Steel
 Case: 304 Stainless Steel
 Face: Glass
 Connection: 316 Stainless Steel

K4520N14160SS

(Recommended for FR10/FB11)

Note: This pressure gauge does not meet NACE specs.

Specifications:

Dial Size: 2"
 Connection: 1/4" center back

Materials of Construction:

Bourdon Tube: 316 Stainless Steel
 Case: 304 Stainless Steel
 Face: Glass
 Connection: 316 Stainless Steel

Accessories and Kits

Description **Part Number**

Steel Panel Mount Nut

FR364/FB548	R05X51SS
FR10/FB11	R10X51SS

Regulator Repair Kits

FR10/FB11 - Relieving	RKR10YSS
FR10/FB11 - Nonrelieving	RKR10KYSS
FR364 - Relieving	RKR364YSS
FR364 - Nonrelieving	RK364KYSS
FB548 - Relieving	RK548YSS
FB548 - Nonrelieving	RK548YSS

Filter Element Kits

FF504 Particulate(5 micron)	EK504VY
FF501 Coalescing(.3 micron)	6HM06-013 X 10
FF10 Particulate(5 micron)	EK55G
FF11 Coalescing(.3 micron)	6HM07-019 X 10
FF548 Particulate(5 micron)	EK504VY
FB11 Particulate(5 micron)	EKF10VY

Cage Kits

FR364/FB548	CKR364YSS
FR10/FB11	CKR10YSS

FRL's & Vacuum
Exhaust Filters